

# SLK

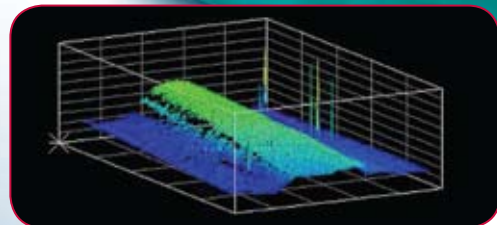
*Straight Line Kinetics  
Peripheral Guide Wires*

[www.brivant.com](http://www.brivant.com)

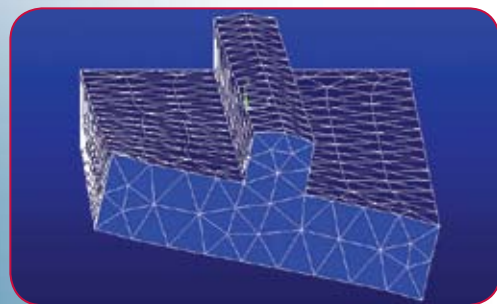
## *Guide wires featuring a Micro Ridge*

- The **Micro Ridge** tapers from the round central core into the flat portion.
- The single axis construction **Minimises Twist** in the flat section thereby **Enhancing Torque**.
- The gradual transition of the ridge **Minimises Prolapse**.

White Light Interferometric image of the stabilising ridge as it blends into the central core. The smooth transition and three dimensional shape eliminates abrupt transitions associated with prolapse and poor tip torque.



"Finite Element Analysis (FEA) predicts the resistance to twist in the region of the ridge"



**BRIVANT**  
MEDICAL ENGINEERING

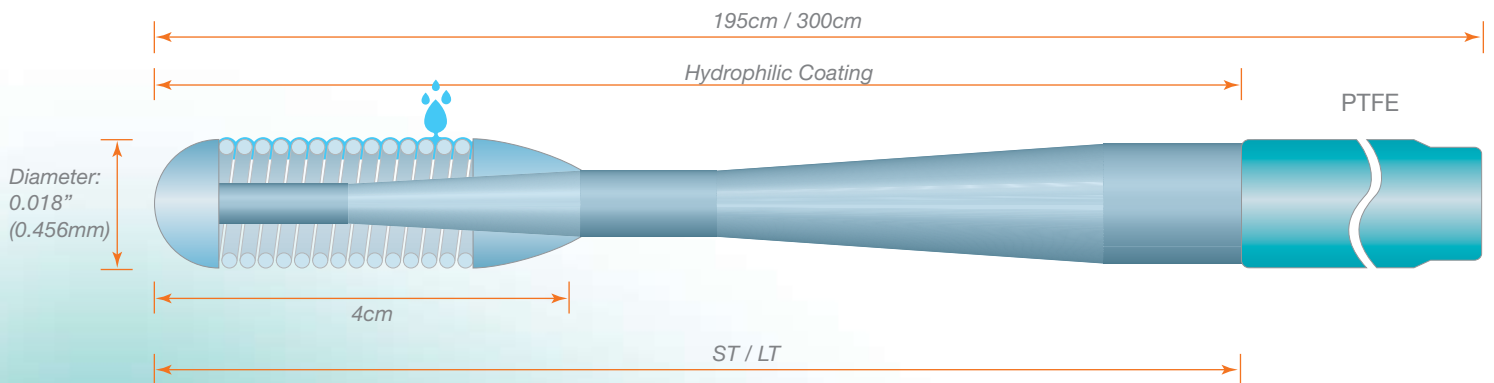
Parkmore West Business Park, Galway, Ireland

t: +353 91 385037 f: +353 91 766598

e-mail: [info@brivant.com](mailto:info@brivant.com)

# SLK

## Straight Line Kinetics Peripheral Guide Wires



## SLK Specifications

### Tip Stiffness:

Short Taper (ST) and Long Taper (LT).

### Radiopacity:

4cm Platinum coil offers optimum radiopacity.

### Coating:

A Hydrophilic coating is applied to the distal coil segment. PTFE coating covers the remaining core.

### Tip Shape:

The single piece core has a distal flat to facilitate J-Forming.

### Length:

Available in 195cm (extendable) and 300cm overall length.



Part Number	Diameter	Tip Transition	Length	Opaque Length
214-000-411	0.018"	Short Taper ST	195cm	4cm
214-010-411	0.018"	Short Taper ST	300cm	4cm
215-000-411	0.018"	Long Taper LT	195cm	4cm
215-010-411	0.018"	Long Taper LT	300cm	4cm